



# PPT-FILTER

## Efficient filtration of small air and dust quantities

The cartridge filter is suitable for all industries where continuous extraction of air from working processes developing fine particle dust is required.

The cartridge filter is adjustable to various kinds of production processes. The filter stands a sub-pressure of 3,500 Pa and is constructed of the following main components:

- A separator with inlet placed against the rear of the filter.
- A filter cabinet in which the replaceable filter cartridges are located.
- Regeneration cabinet with sectioned, detachable roof plates.
- Hopper with dust collector on wheels.

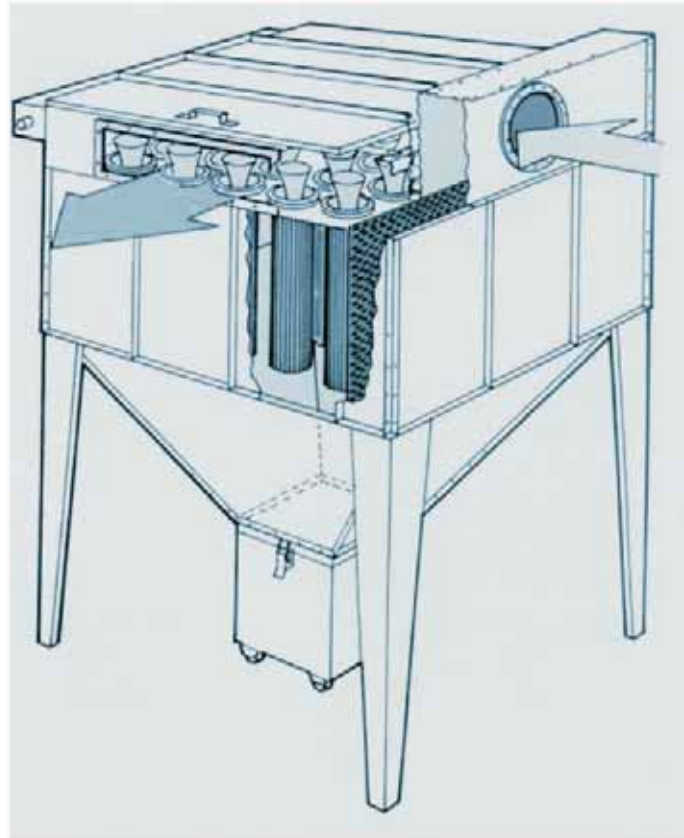
The filter can be fitted with a programmable automatic control box for control of cartridge cleaning. As a standard the filter is delivered unassembled, in hot galvanized plate to be located either in- or outdoors, on the floor or over a silo.

### Effective operation

The dustfilled air is led through the inlet on top of the filter cabinet, passes on through a separator in which the largest particles are separated and settle. The air then passes between the cartridges where the dust collects on the outsides. The cleaned air continues through the filter cartridges and the venturi valves into the regeneration cabinet and out into the return-air duct. The waste falls through the hopper and down into a 75 litres dust collector on wheels.

### Guidance

MOLDOW will be of assistance when calculating and choosing the correct cartridge for the current dust composition.



### Accessories

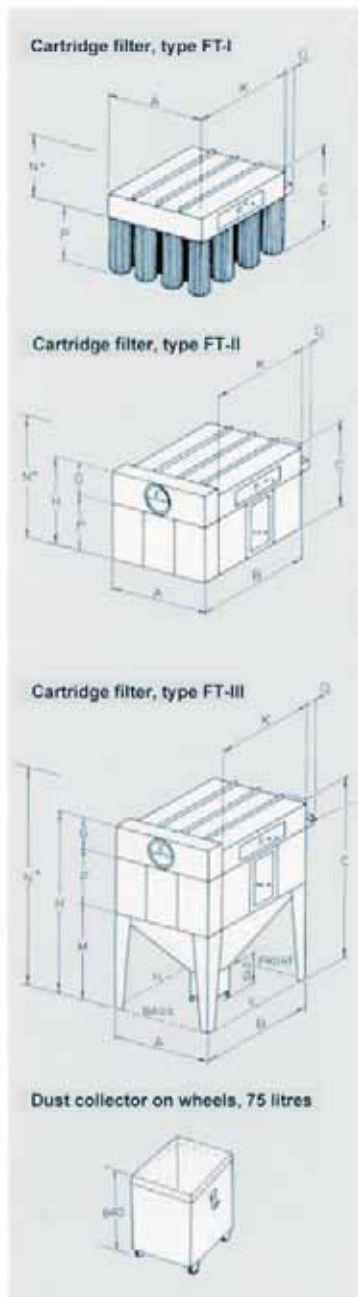
We deliver centrifugal fans, fire dampers, rotary valves, return-air ducts and programmable control panels.

The MOLDOW FT-filter system gives you:

- Efficient filtration
- Energy savings
- Flexibility
- Minimum maintenance



*The roof consists of sectioned loose panels only requiring a height to the ceiling of 500 mm. The panels are designed to ensure the highest possible density.*



Silo filter for insertion into silo, etc.

#### FT-I

Type	A	C	D	F	P	K	N
FT-20	830	1475	180	200x300	-	1050	830 - 900
FT-45	1130	1475	180	200x600	-	1050	1130 - 900
FT-80	1430	1575	180	300x900	-	1050	1430 - 900
FT-125	1880	1575	180	300x1200	-	1050	1880 - 900
FT-150	2180	1575	280	300x1200	-	1050	1880 - 900

Silo filter for mounting on silo or on the roof

#### FT-II

Type	A	B	C	D	E	F	G	H	P	K	N
FT-20	830	1130	1475	180	ø200	200x300	450	1500	1050	830	1950
FT-45	1130	1430	1475	180	ø300	200x600	450	1500	1050	1130	1950
FT-80	1430	1730	1575	180	ø400	300x900	600	1650	1050	1430	1950
FT-125	1880	2180	1575	180	ø500	300x1200	600	1650	1050	1880	1950
FT-150	2180	2180	1575	280	ø500	300x1200	600	1650	1050	1880	1950

Separate filter with dust collection through a rotary valve or directly down into a dust collector on wheels

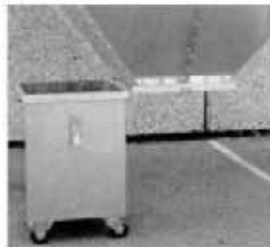
#### FT-III

Type	A	B	C	D	E	F	G	H	P	K	M	N
FT-20	830	1130	2840	180	ø200	200x300	450	2665	1050	830	1165	3115
FT-45	1130	1430	2870	180	ø300	200x600	450	2895	1050	1130	1395	3345
FT-80	1430	1730	3005	180	ø400	300x900	600	3080	1050	1430	1430	3380
FT-125	1880	2180	3355	180	ø500	300x1200	600	3430	1050	1880	1780	3730
FT-150	2180	2180	3455	280	ø500	300x1200	600	3530	1050	1880	1880	3830

Cartridge type	Area m <sup>2</sup>	Length mm	Permeability p=200 Pa
PM-1	5	1000	300 l/dm <sup>2</sup> x min
PM-2	5	1000	600 l/dm <sup>2</sup> x min
PM-3	5	1000	900 l/dm <sup>2</sup> x min

As standard the filter is mounted with PM-2 filter cartridges but are available with PM-1 or PM-3 cartridges, if requested.

- \*) Min. dimension for taking out of cartridges.
- \*\*\*) Can be placed on the right, left or front side.  
FT-150, however, only on the right and left side.
- \*\*\*\*) Can be placed on the right, left or front side.



The hopper ends with a 75 litres dust collector on wheels. The dust collector is attached to the hopper by 2 snap hangers.



Instead of a dust collector the hopper can be mounted with a rotary valve RS-3 for the filter to be placed above a container.

# PPT-FILTER

## PPT Pölynpoistotekniikka Oy

Hakamäentie 7 FIN-48400 KOTKA Finland  
 ppt@ppt-filter.com  
 tel. +358 (0)5 225 1800  
 fax. +358 (0)5 225 1899

[WWW.PPT-FILTER.COM](http://WWW.PPT-FILTER.COM)

[WWW.PPT-FILTER.COM](http://WWW.PPT-FILTER.COM)